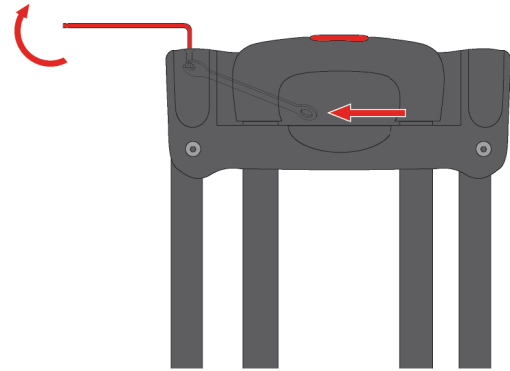


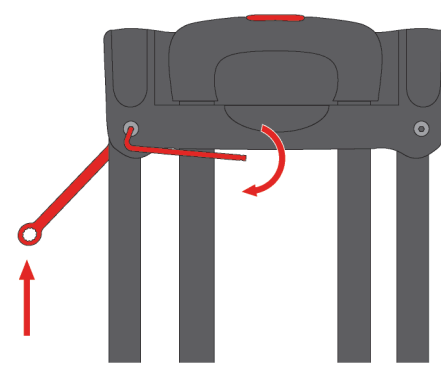
## STEP 2 Attaching the new handle



### Tighten the top screws:

Insert a 0.5" screw into the top of the handle and hand tighten the 8mm lock nut to the bolt. Use the 8mm combination wrench to firmly hold the lock nut. With your other hand, insert the 3mm Allen wrench into the bolt head and turn clockwise to tighten. Repeat on other side.

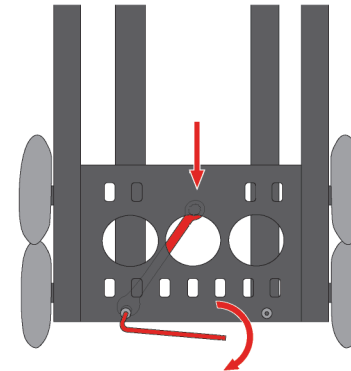
## STEP 2 (continued)



### Tighten the middle bolts:

Insert a 1" bolt into the upper back of the handle and hand tighten the 8mm lock nut to the bolt. Use the 8mm combination wrench to firmly hold the lock nut. With your other hand, insert the 3mm Allen wrench into the bolt head and turn clockwise to tighten. Repeat on other side.

## STEP 2 (continued)

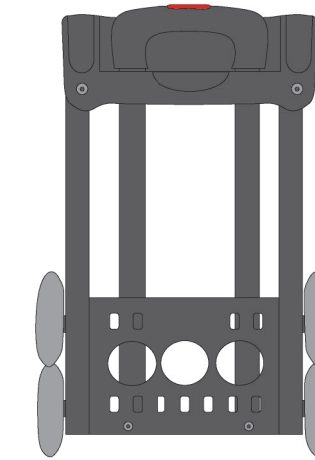


### Tighten the bottom bolts:

Insert a 1.25" bolt into the lower back of the handle and hand tighten the 8mm lock nut to the bolt. Use the 8mm combination wrench to firmly hold the lock nut located on the inside of the frame. With your other hand, insert the 3mm Allen wrench into the bolt head and turn clockwise to tighten. Repeat on other side.

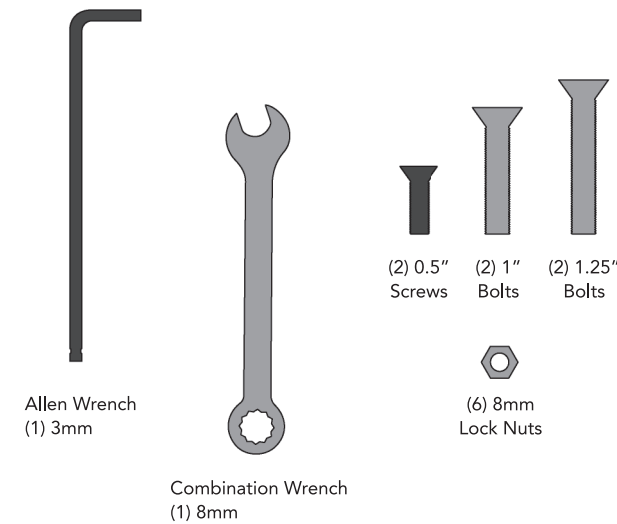
## Congrats!

You've successfully replaced your telescoping handle.



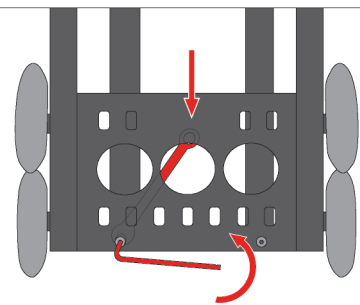
© 2019 ZÜCA, Inc. All Rights Reserved.

## HANDLE KIT INCLUDES:



## STEP 1 Removing the old handle

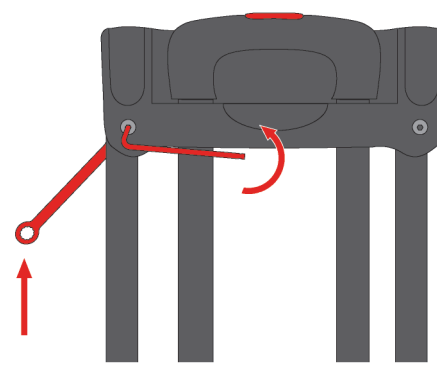
Stop! Before you do anything else, remove the Insert from the frame. This will make the repair easier.



### Remove the bottom bolts:

Start at the bottom of the handle. Use the 8mm combination wrench to firmly hold the lock nut located on the inside of the frame. With your other hand, insert the 3mm Allen wrench into the bolt head and turn counterclockwise. Repeat with adjacent bolt.

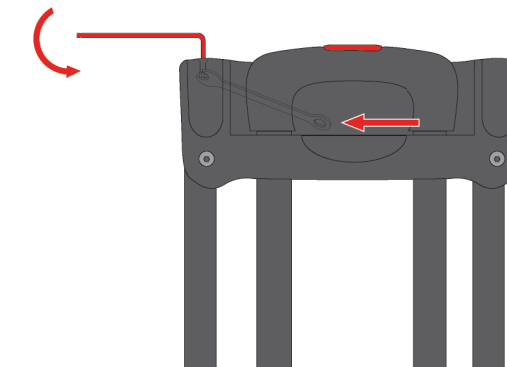
## STEP 1 (continued)



### Remove the middle bolts:

Remove the bolts in the upper back of the handle. Use the 8mm combination wrench to firmly hold the lock nut located on the inside of the frame. With your other hand, insert the 3mm Allen wrench into the bolt head and turn counterclockwise. Repeat with adjacent bolt.

## STEP 1 (continued)



### Remove the top screws:

Remove the screws at the top of the handle. Use the 8mm combination wrench to firmly hold the lock nut located on the inside of the frame. With your other hand, insert the 3mm Allen wrench into the bolt head and turn counterclockwise. Repeat on other side. You can discard the old hardware after you've removed it. You won't need it anymore.

(Instructions continue on other side)

