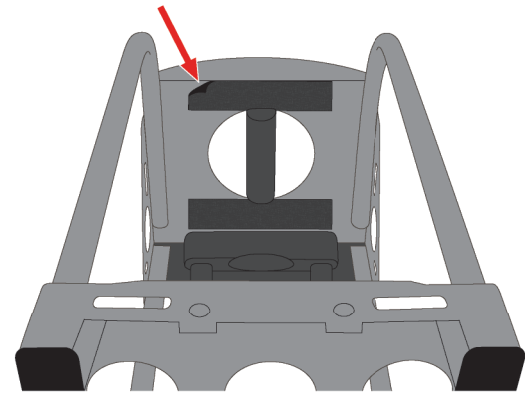
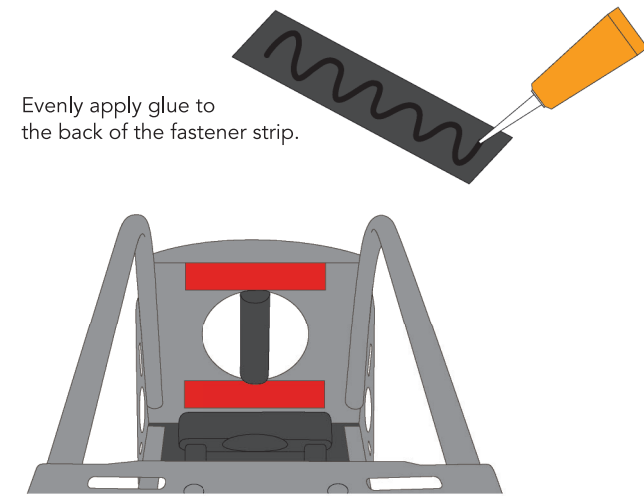


STEP 2 Removing the old fabric fasteners



Remove the fabric fasteners:
Turn the frame upside down and peel off the old fastener strip, starting at a corner. Repeat with the other strip. You can discard the old strips after you've removed them. You won't need them anymore.

STEP 3 Attaching the new fabric fasteners



Evenly apply glue to the back of the fastener strip.

Carefully secure the fastener strips to the areas shown in red.

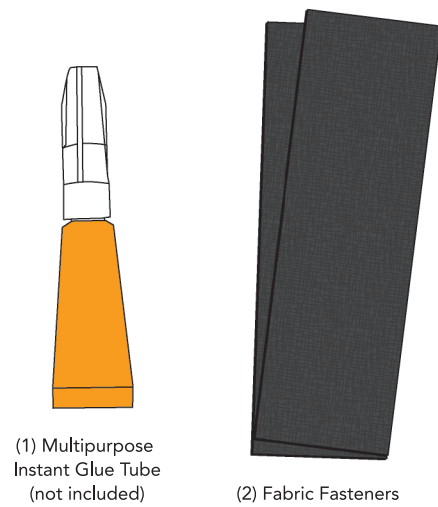
Congrats! You've successfully replaced your fabric fasteners.



ZUCA
Fabric Fasteners
REPAIR MANUAL



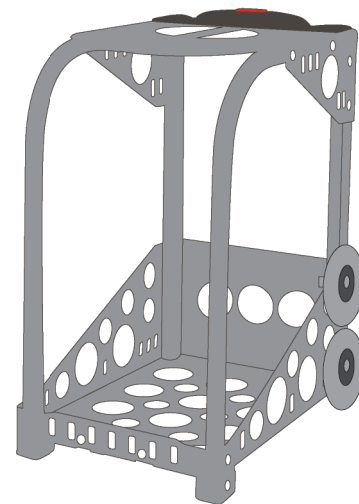
FASTENER KIT:



(1) Multipurpose Instant Glue Tube (not included)

(2) Fabric Fasteners

STEP 1 Remove the Insert from the Frame



(Instructions continue on other side)

